

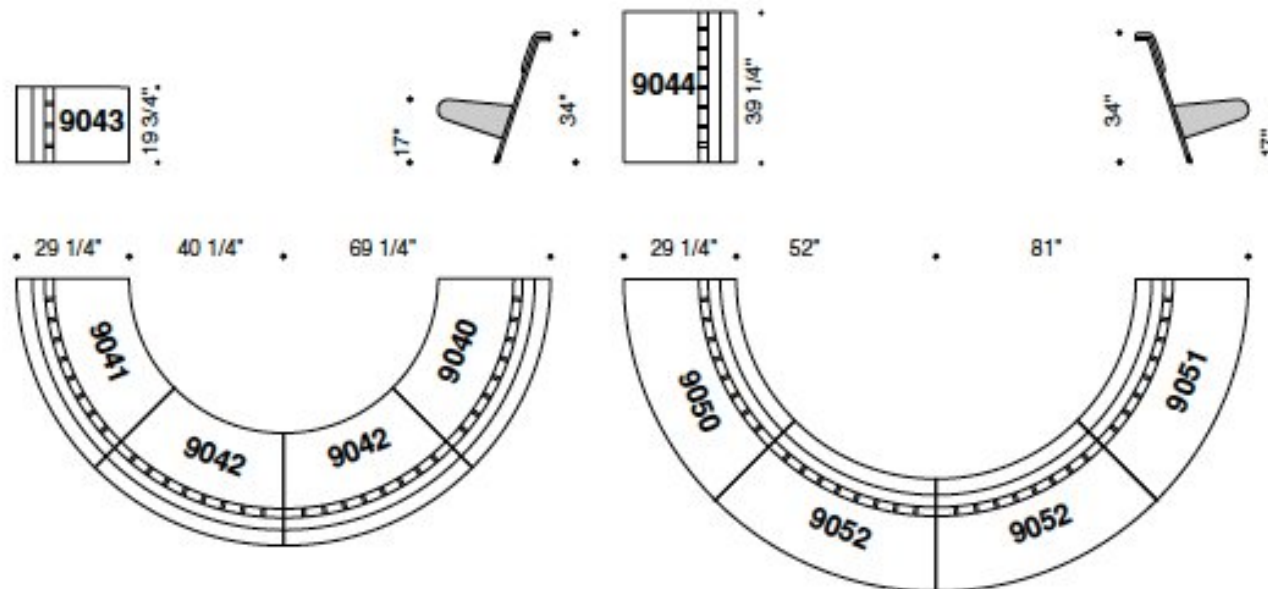
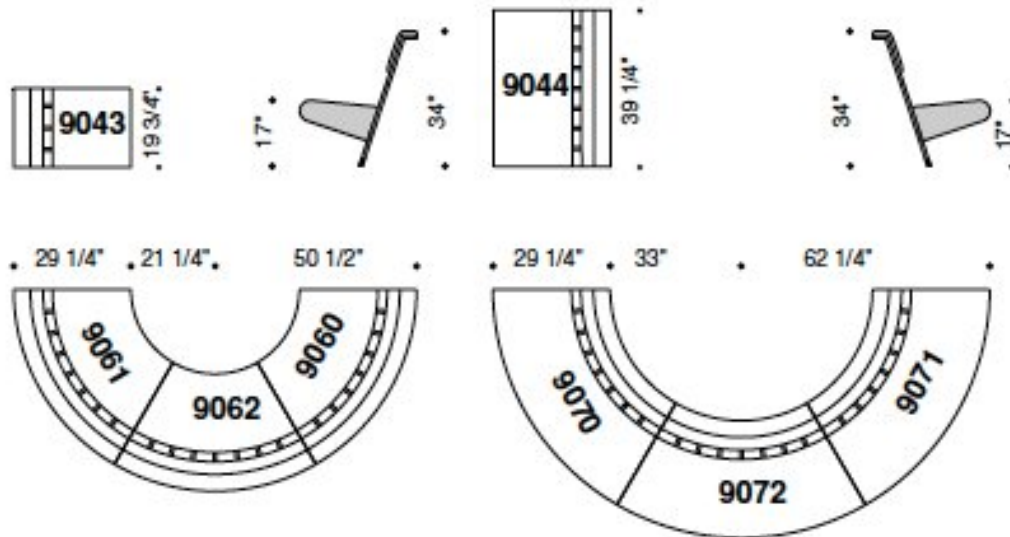
# HighTower

# Swinger



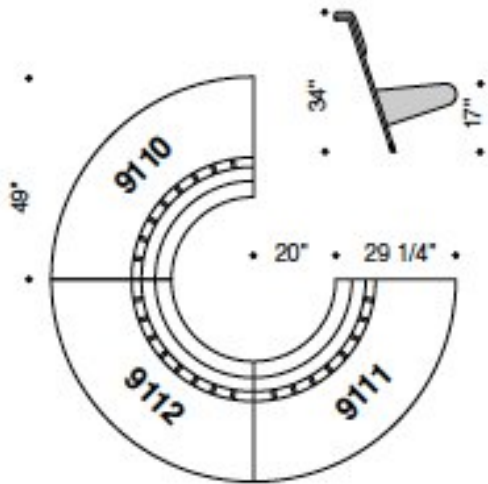
# HighTower

# Swinger



# HighTower

# Swinger



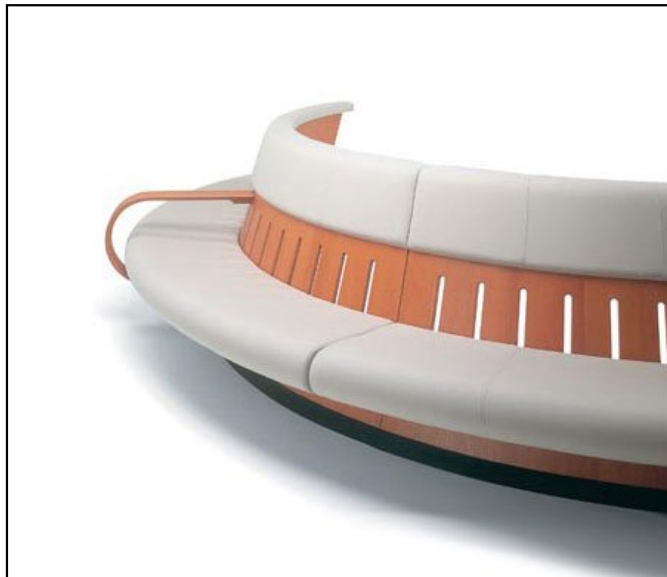
MO 9029

Arm for internal Swinger sections with wooden back



MO 9039

Arm for external Swinger sections with wooden back



## LIST Pricing

Model		COM	3	4	5	6	7	8	9	10	11	Yds
MO9040	Swinger – Internal Section	4750	4935	5074	5214	5349	5511	5637	5776	5965	6235	4 ½
MO9041	Swinger – Internal Section	4750	4935	5074	5214	5349	5511	5637	5776	5965	6235	4 ½
MO9050	Swinger – External Section	4895	5080	5219	5359	5494	5656	5782	5921	6110	6380	4 ½
MO9051	Swinger – External Section	4895	5080	5219	5359	5494	5656	5782	5921	6110	6380	4 ½
MO9043	Swinger – Straight Section 19 ¾	1995	2098	2175	2253	2328	2418	2488	2565	2670	2820	2 ½
MO9044	Swinger – Straight Section 39 ¼	3395	3542	3689	3812	3894	4002	4086	4279	4405	4585	3 ¾
MO9060	Swinger – Internal Section	4475	4649	4781	4913	5040	5193	5312	5444	5623	5878	4 ¼
MO9061	Swinger – Internal Section	4475	4649	4781	4913	5040	5193	5312	5444	5623	5878	4 ¼
MO9062	Swinger – Internal Section	4475	4649	4781	4913	5040	5193	5312	5444	5623	5878	4 ¼
MO9070	Swinger – External Section	4750	4935	5074	5214	5349	5511	5637	5776	5965	6235	4 ½
MO9071	Swinger – External Section	4750	4935	5074	5214	5349	5511	5637	5776	5965	6235	4 ½
MO9072	Swinger – External Section	4750	4935	5074	5214	5349	5511	5637	5776	5965	6235	4 ½
MO9100	Swinger – Internal Section	4495	4639	4747	4856	4961	5087	5185	5293	5440	5650	4 ½
MO9101	Swinger – Internal Section	4495	4639	4747	4856	4961	5087	5185	5293	5440	5650	4 ½
MO9102	Swinger – Internal Section	4495	4639	4747	4856	4961	5087	5185	5293	5440	5650	4 ½
MO9110	Swinger – External Section	5275	5419	5527	5636	5741	5867	5965	6073	6220	6430	3 ½
MO9111	Swinger – External Section	5275	5419	5527	5636	5741	5867	5965	6073	6220	6430	3 ½
MO9112	Swinger – External Section	5275	5419	5527	5636	5741	5867	5965	6073	6220	6430	3 ½
MO9029	Wood Arm – Internal Sectional	495										
MO9039	Wood Arm – External Sectional	495										

Please Plan Ahead – Due to International demand for Swinger, allow 12 – 14 weeks from receipt of COM.

Hightower Ecosoft Leather (Grade 10). No COL.. Clear lacquered maple standard. Beech available as special request.

Contact Hightower Group for AutoCAD files.